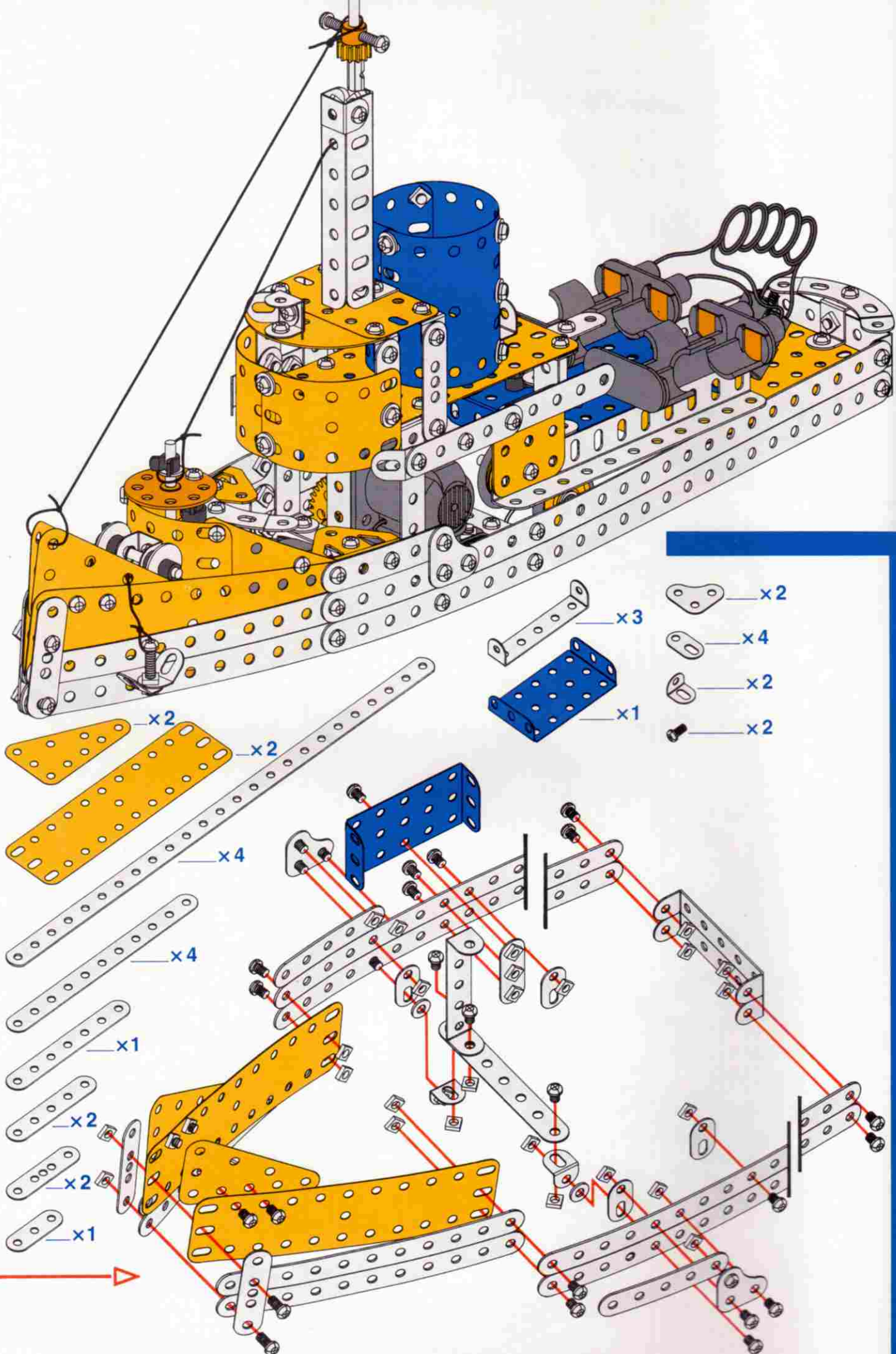
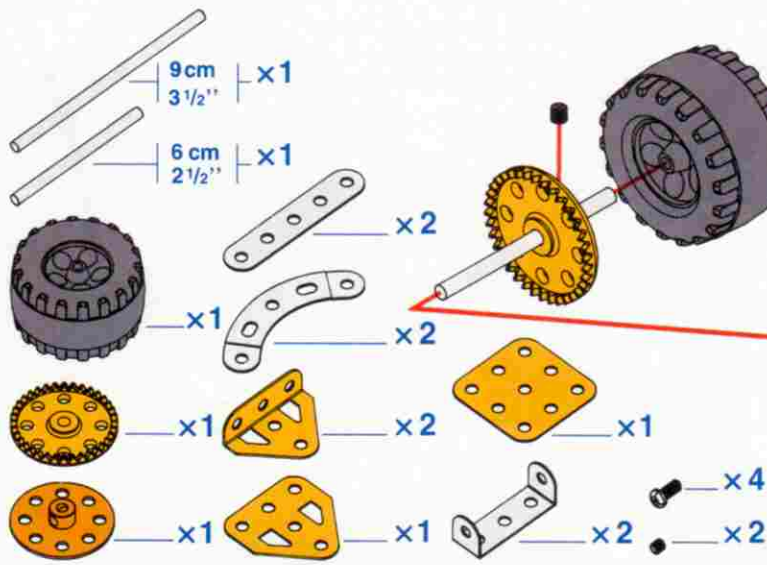
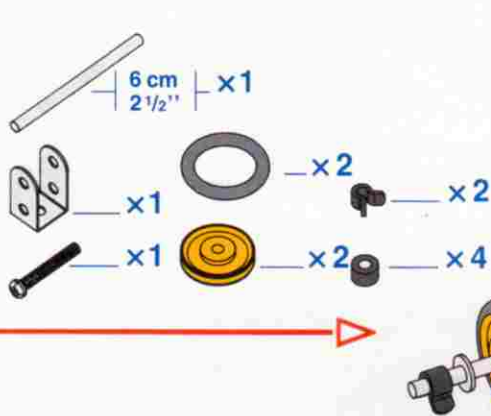
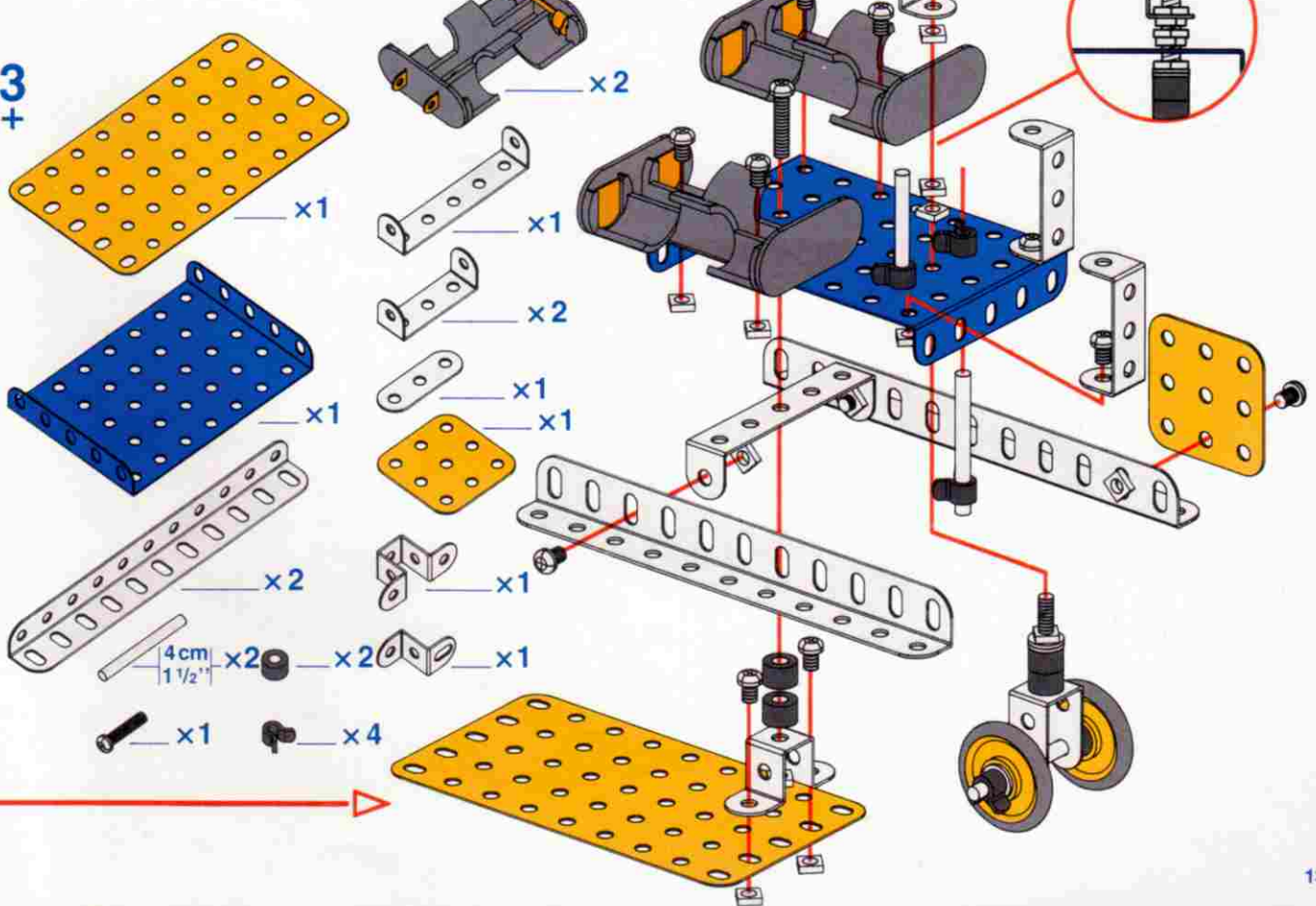


1



- x2
- x4
- x2
- x2

**2****3****4**

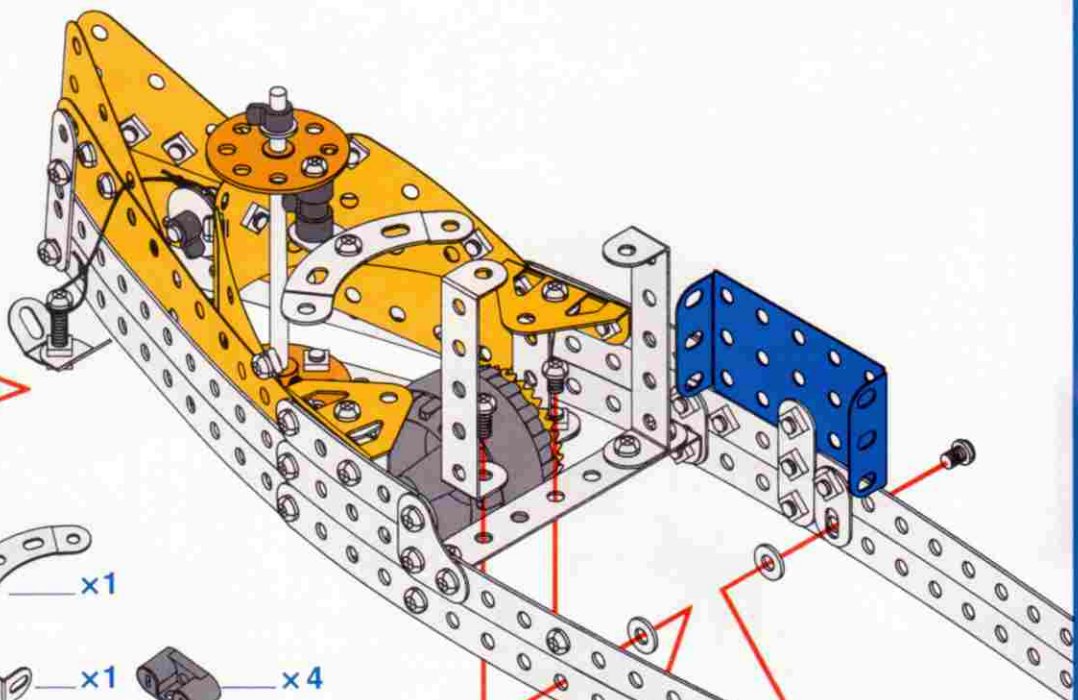
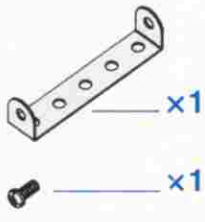






10

+8+9



11

10+4+7+

